



# TS9356 PKT 120/170



Surface applied door closer

Installation instructions:

Pocket door track mount in 120°/170° pocket  
(Closer on wall)

# TABLE OF CONTENTS



<b>Closer overall</b>	
Technical specifications	
Door templates	2
Closer setup	
Exploded parts list	
Handing of the door	3
<b>A. Installing the surface closer</b>	
Installing the backplate	
Installing the surface closer	4
<b>B. Adjustments</b>	
Adjusting the closing speeds	5
Adjusting the spring tension	6
<b>C. Installing the closer cover</b>	
Installing the cover	6

## Technical specifications

### Templates

#### Contents

Note: Refer to the included drawing for pull side door closer back plate and track mount templating.

#### Size selection chart

Closer	Door Width Range	Maximum Weight
TS9356 PKT 120/170	2'-8" to 4"	150 lb

#### Note

1. Drawing is not to scale.
2. Dimensions are in inches/[mm].
3. Right hand door is shown.
4. Caution: sex nuts are required for attachment of components to unreinforced doors and to wood or plastic faced composite type fire doors, unless an alternative method is identified in the individual door manufacturer's listings.
5. Template is for 4-1/2" x 4-1/2" butt hinges and 3/4" offset pivots.
6. Maximum degree of opening is 170°.
7. Minimum door width is 32".
8. Adjust closer spring tension for proper closing and latching of door.
9. Adequate reinforcement by others required to install track in pocket.
10. Pocket depth is measured from the pull side face of the door at maximum opening.
11. Requires DORMA EM504 electromagnetic door holder
12. Use closer body style "B" for this installation.
13. Arrows on closer mounting plate point upward.

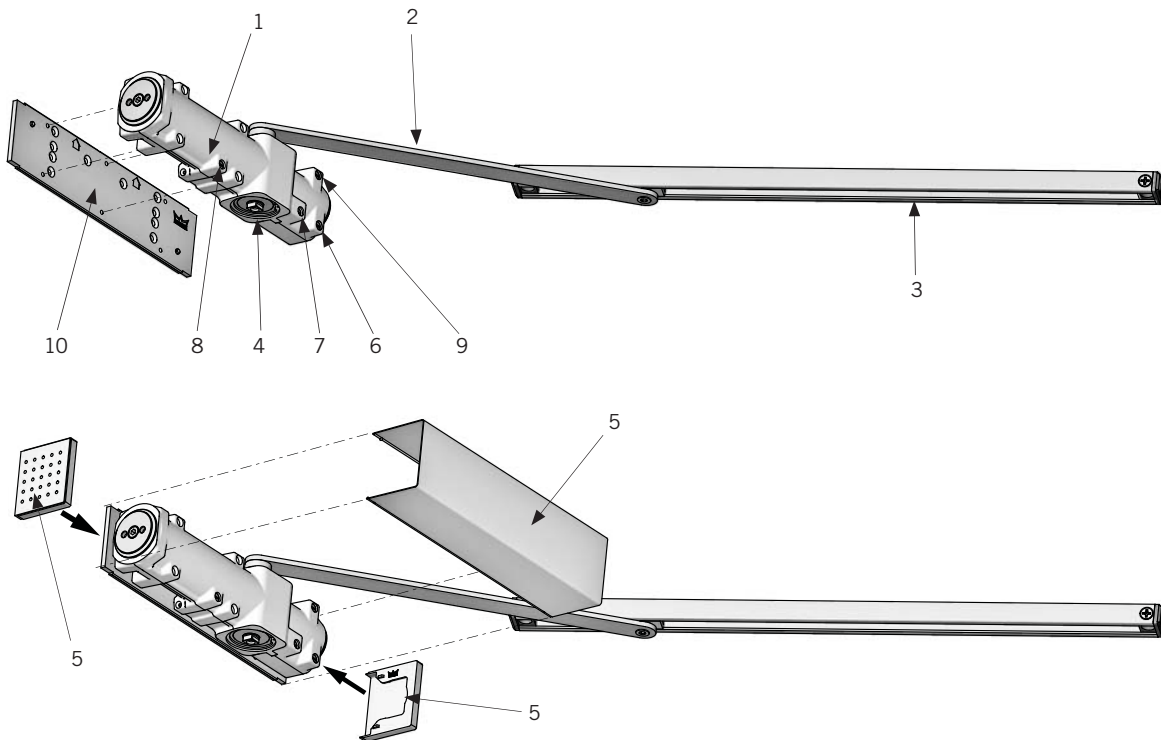
# TS9356 PKT 120/170 (closer on wall)

## Closer setup

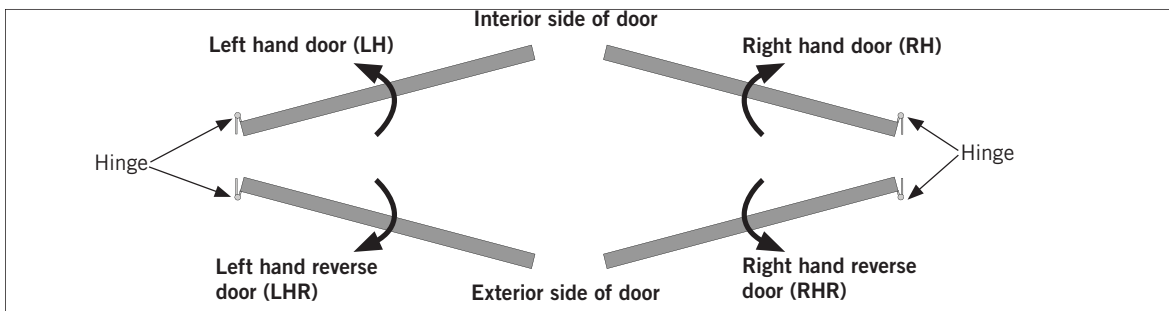
- ⚠ Follow included template to properly prepare door and frame for all accessories of the closer installation.
- ⚠ Make sure door efficiently operates prior to installing closer.
- ⚠ Know the swing of the door which is being installed prior to installation.
- ⚠ Verify closer spring size prior to installation. See "Size selection chart" on page 2.

The surface closer is comprised of the following components.

1. Closer body
2. Main arm
3. Track assembly
4. Pinion
5. Cover and end caps
6. Closing/sweep speed adjustment
7. Latch speed adjustment
8. Backcheck adjustment
9. Delayed action adjustment
10. Backplate



## Handing of the door



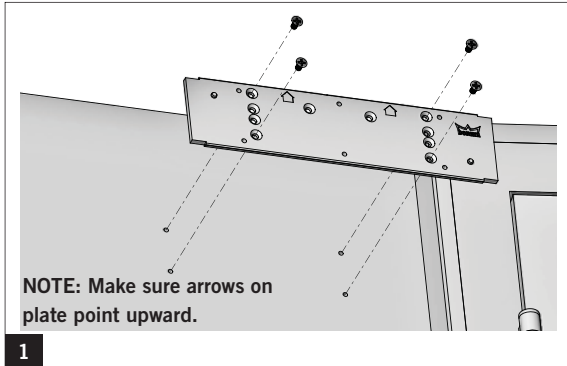
# TS9356 PKT 120/170 (closer on wall)

## A. Installing the surface closer

### Tools recommended

- Drill Bits
  - Metal: No. 21 & 10-32 Tap
  - Wood: 1/8"
- #2 Phillips screwdriver
- M2.5 & M5 Hex key

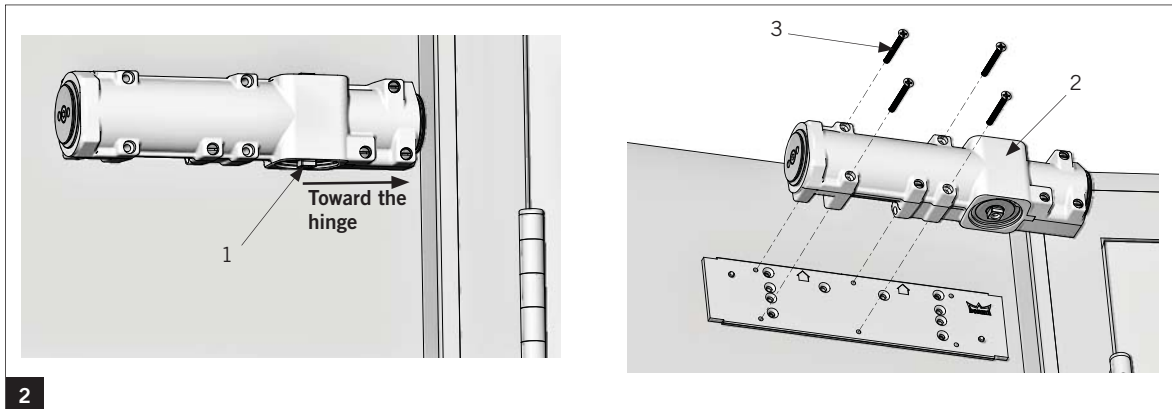
### Installing the back plate



### Reference template 08279972

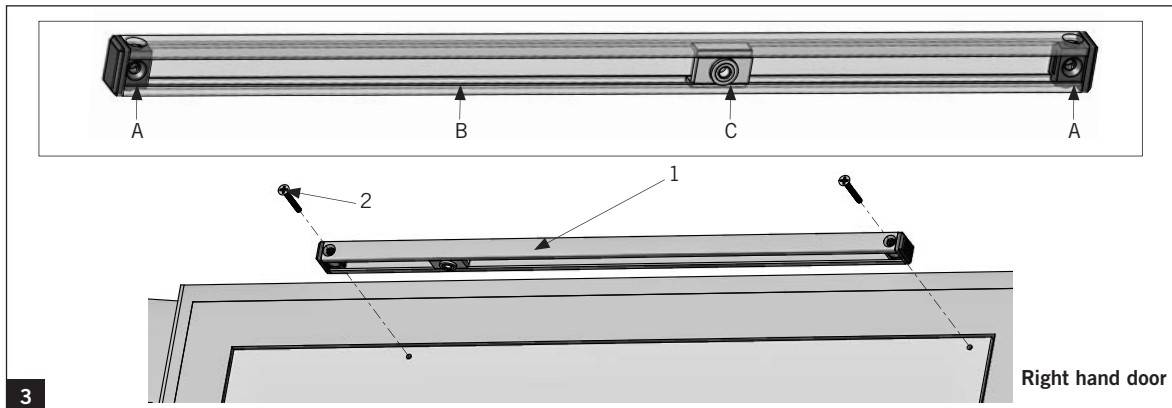
- 1.1** Attach the back plate to the installing surface using the four screws [10-32 machine screws or #10 wood screws] provided with the surface closer.

### Installing the surface closer



**NOTE:** Orient pinion (1) closest to hinge.

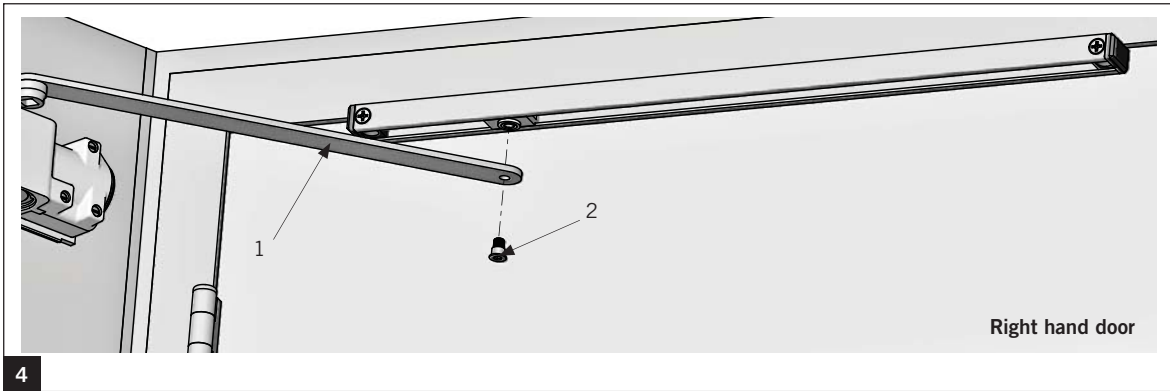
- 2.1** Secure the closer body (2) to the plate using the four M5x47mm flathead Phillips screws (3) provided with the plate.



- 3.1** Position the components inside the track channel (1).
- 3.2** Attach the track channel to the wall through the end blocks with two flat head Phillips screws (2).

- A.** End block  
**B.** Track channel  
**C.** Slide shoe

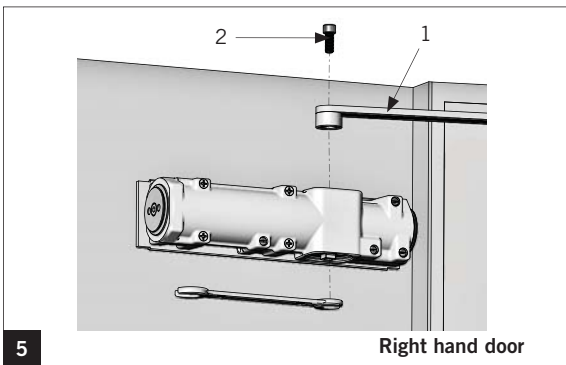
# TS9356 PKT 120/170 (closer on wall)



4

4.1 Align the arm (1) with the slide shoe of the track channel.

4.2 Secure with one M8x15mm shoulder bolt (2) using an M5 hex key.



5

5.1 With the door closed and using an adjustable wrench (looking up at the bottom of the closer):

- Left hand door - turn the bottom pinion clockwise approximately 5°.
- Right hand door - turn the bottom pinion counter-clockwise approximately 5°.

5.2 Attach the main arm (1) to the top pinion with an M6x20 socket head cap screw (2) using an M5 hex key.

⚠ Be sure that the door is fully closed during application.

## B. Adjustments

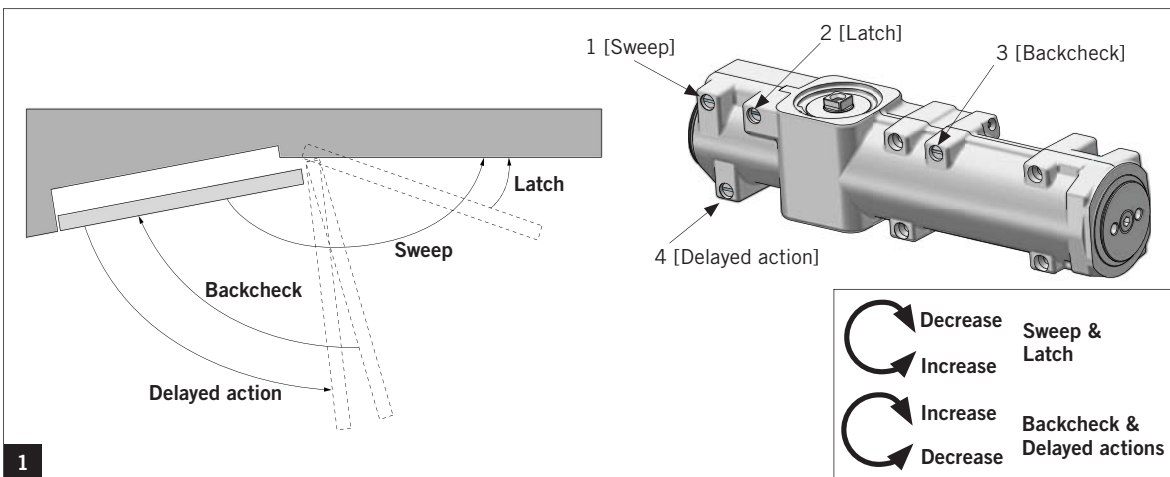
- ⚠ Set closer spring size prior to making any closing speed adjustments.
- ⚠ Do not back valves out beyond closer casting.

⚠ Maximum opening angle is 170°.

⚠ Door should close in 3 to 6 seconds from 90°.

⚠ Do not close valves completely.

### Adjusting the closing speeds: sweep, latch, backcheck and delayed action



1

1.1 Adjust the **sweep speed** (1) for the area from 70° - 0°

- Increase sweep speed: Turn valve counter-clockwise
- Decrease sweep speed: Turn valve clockwise.

1.2 Adjust the **latch speed** (2) for the area from 7° - 0°.

- Increase latch speed: Turn valve counter-clockwise
- Decrease latch speed: Turn valve clockwise.

1.3 Adjust the **backcheck** (3).

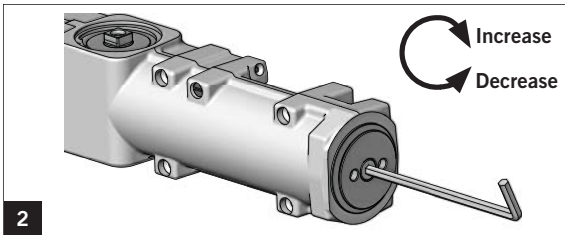
- Increase resistance: Turn valve clockwise
- Decrease resistance: Turn valve counter-clockwise.

1.4 Adjust the **delayed action** (4) for the area from 170° - 70°.

- Increase delayed action: Turn valve clockwise
- Decrease delayed action: Turn valve counter-clockwise

# TS9356 PKT 120/170 (closer on wall)

## Adjusting the spring force



DOOR WIDTH		FULL TURNS OF SPRING ADJUSTER	CLOSER SIZE
INT.			
TS9356	4'	0	5
	4'6"	+5	6

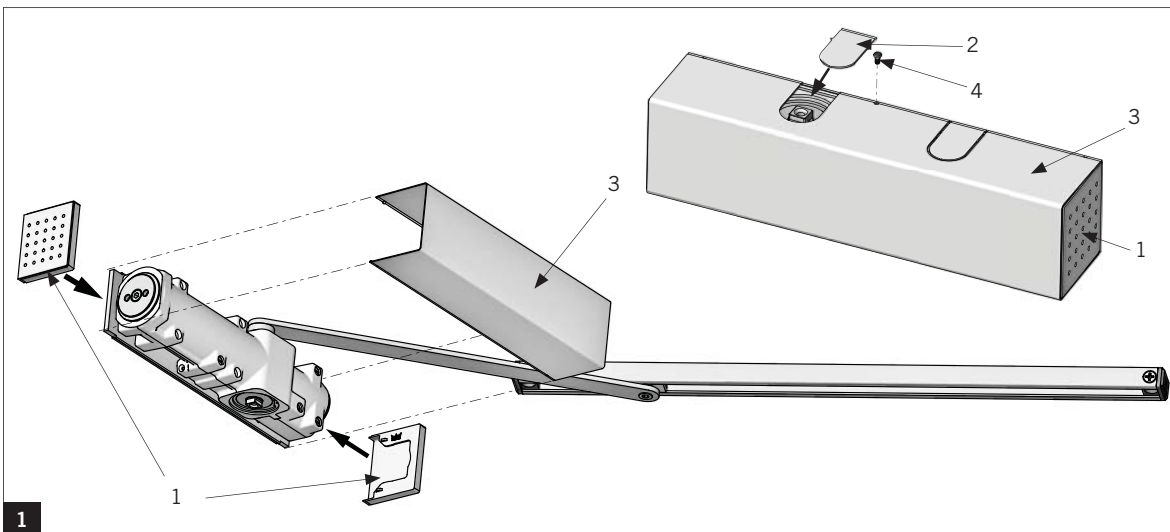
## TS9356

**NOTE:** Supplied with a size 6 spring setting.

- Increase force: turn clockwise 6 times (max)

## C. Installing the closer covers

### Installing the covers



**1.1** Snap both end covers (1) into place.

**1.3** Secure with a 4-40 Phillips pan head screw (4) .

**1.2** Remove the un-needed tab (2), and snap the closer body cover (3) into place.



DORMA USA, INC.  
DORMA DRIVE, DRAWER AC  
REAMSTOWN, PA 17567  
TOLL-FREE: 800-523-8483  
FAX: 800-274-9724  
E-MAIL: [DORMAARCHITECTURAL@DORMA.COM](mailto:DORMAARCHITECTURAL@DORMA.COM)  
[WWW.DORMA-USA.COM](http://WWW.DORMA-USA.COM)